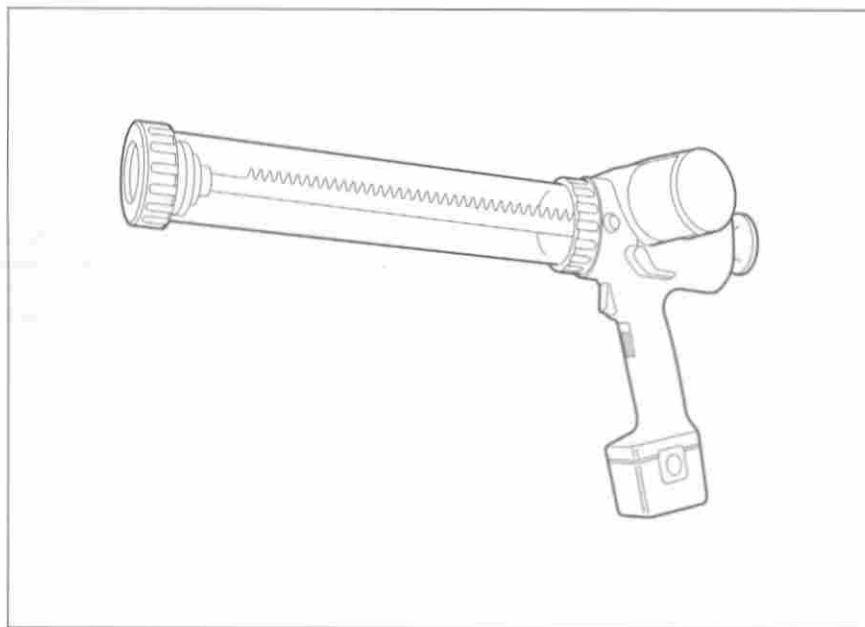


# Panasonic MA

## Sealing Gun

### Operating Instructions

Model No : EY3654



#### IMPORTANT

This manual contains safety information. Read manual completely before first using this product and save this manual for future use.

SAVE THESE INSTRUCTIONS

# GENERAL SAFETY RULES-FOR ALL BATTERY OPER- ATED TOOLS

## WARNING!

READ AND UNDERSTAND ALL INSTRUCTIONS.

- Failure to follow all instructions listed below, may result in electric shock, fire and/or serious personal injury.

## SAVE THESE INSTRUCTIONS

### Work Area

- 1) **Keep your work area clean and well lit.**  
Cluttered benches and dark areas invite accidents.
- 2) **Do not operate power tools in explosive atmospheres, such as in the presence of flammable liquids, gases, or dust.**  
Power tools create sparks which may ignite the dust or fumes.
- 3) **Keep bystanders, children, and visitors away while operating a power tool.**  
Distractions can cause you to lose control. Make sure that no one is beneath, or on the other side of the area when you are working.

### Electrical Safety

- 4) **A battery operated tool with integral batteries or a separate battery pack must be recharged only with the specified charger for the battery.**  
A charger that may be suitable for one type of battery may create a risk of fire when used with another battery.
- 5) **Use battery operated tool only with specifically designated battery pack.**  
Use of any other batteries may create a risk of fire.

### Personal Safety

- 6) **Stay alert, watch what you are doing, and use common sense when operating a power tool. Do not use tool while tired or under the influence of drugs, alcohol, or medication.**  
A moment of inattention while operating power tools may result in serious personal injury.
- 7) **Dress properly. Do not wear loose clothing or jewelry. Contain long hair.**  
**Keep your hair, clothing, and gloves away from moving parts.**  
Loose clothes, jewelry, or long hair can be caught in moving parts.
- 8) **Avoid accidental starting. Be sure switch is in the locked or off position before inserting battery pack.**  
Carrying tools with your finger on the switch or inserting the battery pack into a tool with the switch on invites accidents.
- 9) **Remove adjusting keys or wrenches before turning the tool on.**  
A wrench or a key that is left attached to a rotating part of the tool may result in personal injury.
- 10) **Do not overreach. Keep proper footing and balance at all times.**  
Proper footing and balance enable better control of the tool in unexpected situations.
- 11) **Use safety equipment. Always wear eye protection.**  
Dust mask, non-skid safety shoes, hard hat, or hearing protection must be used for appropriate conditions.

### Tool use and care

- 12) **Use clamps or other practical way to secure and support the work-piece to a stable platform.**  
Holding the work by hand or against your body is unstable and may lead to loss of control.

- 13) **Do not force tool. Use the correct tool for your application.**

The correct tool will do the job better and safer at the rate for which it is designed.

- 14) **Do not use tool if switch does not turn it on or off.**

A tool that cannot be controlled with the switch is dangerous and must be repaired.

- 15) **Disconnect battery pack from tool or place the switch in the locked or off position before making any adjustments, changing accessories, or storing the tool.**

Such preventive safety measures reduce the risk of starting the tool accidentally.

- 16) **Store idle tools out of reach of children and other untrained persons.**

Tools are dangerous in the hands of untrained users.

- 17) **When battery pack is not in use, keep it away from other metal objects like: paper clips, coins, keys, nails, screws, or other small metal objects that can make a connection from one terminal to another.**

Shorting the battery terminals together may cause sparks, burns or a fire.

- 18) **Maintain tools with care. Keep cutting tools sharp and clean.**

Properly maintained tools with sharp cutting edge are less likely to bind and are easier to control.

- 19) **Check for misalignment or binding of moving parts, breakage of parts, and any other condition that may affect the tool's operations. If damaged, have the tool serviced before using.**

Many accidents are caused by poorly maintained tools.

- 20) **Use only accessories that are recommended by the manufacturer for your model.**

Accessories that may be suitable for one tool may create a risk of injury when used on another tool.

## Service

- 21) **Tool service must be performed only by qualified repair personnel.**

Service or maintenance performed by unqualified personnel may result in a risk of injury.

- 22) **When servicing a tool, use only identical replacement parts. Follow instructions in the Maintenance section of this manual.**

Use of unauthorized parts or failure to follow Maintenance Instructions may create a risk of shock or injury.

# FOR BATTERY CHARGER & BATTERY PACK

| RECOMMENDED MINIMUM AWG SIZE OF EXTENSION CORDS FOR BATTERY CHARGERS |               |                      |    |         |
|--|---------------|----------------------|----|---------|
| AC Input Rating, Amperes   |               | AWG Size of Cord     |    |         |
| Equal to or greater than   | But less than | Length of Cord, Feet |    |         |
|  |               | 25                   | 50 | 100 150 |
| 0  | 2             | 18                   | 18 | 18 16   |

## 1) SAVE THESE INSTRUCTIONS

-This manual contains important safety and operating instructions for battery charger EY0202.

2) Before using battery charger, read all instructions and cautionary markings on (1) battery charger, (2) battery pack.

3) **CAUTION** -To reduce the risk of injury, charge only Battery Pack shown below.

EY9001, EY9080, EY9065, EY9006, EY9086, EY9101, EY9180, EY9182, EY9103, EY9106, EY9107

Other types of batteries may burst causing personal injury and damage.

4) Do not expose charger to rain or snow.

5) To reduce risk of damaging the electric plug and cord, pull by plug rather than cord when disconnecting charger.

6) Make sure cord is located so that it will not be stepped on, tripped over, or otherwise subjected to damage or stress.

7) An extension cord should not be used unless absolutely necessary. Use of improper extension cord could result in a risk of fire and electric shock. If extension cord must be used, make sure:

- that pins on plug of extension cord are the same number, size and shape as those of plug on charger.
- that extension cord is properly wired and in good electrical condition.
- that wire size is large enough for ampere rating of charger as specified below.

8) Do not operate charger with damaged cord or plug—replace them immediately.

9) Do not operate charger if it has received a sharp blow, been dropped, or otherwise damaged in any way; take it to a qualified serviceman.

10) Do not disassemble charger; take it to a qualified serviceman when service or repair is required. Incorrect reassembly may result in a risk of electric shock or fire.

11) To reduce the risk of electric shock, unplug charger from outlet before attempting any maintenance or cleaning.

12) The charger and battery pack are specifically designed to work together. Do not attempt to charge any other cordless tool or battery pack with this charger.

13) Do not attempt to charge the battery pack with any other charger.

14) Do not attempt to disassemble the battery pack housing.

15) Do not store the tool and battery pack in locations where the temperature may reach or exceed 122°F (50°C) (such a metal tool shed, or a car in the summer), which can lead to deterioration of the storage battery.

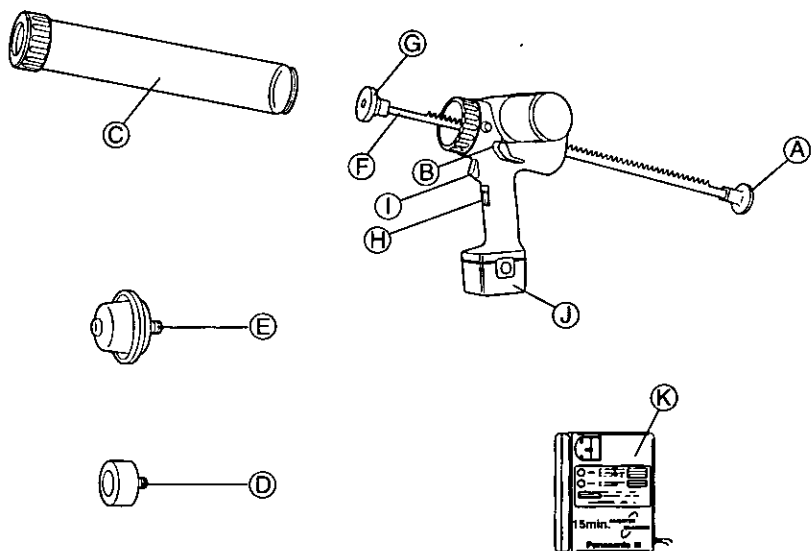
16) Do not charge battery pack when the temperature is BELOW 32°F (0°C) or ABOVE 104°F (40°C). This is very important.

17) Do not incinerate the battery pack. It can explode in a fire.

- 18) Avoid dangerous environment. Do not use charger in damp or wet locations.
- 19) The charger is designed to operate on standard household electrical power only. Do not attempt to use it on any other voltage!
- 20) Do not abuse cord. Never carry charger by cord or yank it to disconnect from outlet. Keep cord away from heat, oil and sharp edges.
- 21) Charge the battery pack in a well ventilated place, do not cover the charger and battery pack with a cloth, etc., while charging.
- 22) Use of an attachment not recommended may result in a risk of fire, electric shock, or injury to persons.
- 23) Do not short the battery pack. A battery short can cause a large current flow, over heating and burns.
- 24) NOTE: If the supply cord of this appliance is damaged, it must only be replaced by a repair shop appointed by the manufacturer, because special purpose tools are required.
- 25) TO REDUCE THE RISK OF ELECTRIC SHOCK, THIS APPLIANCE HAS A POLARIZED PLUG (ONE BLADE IS WIDER THAN THE OTHER).  
This plug will fit in a polarized outlet only one way. If the plug does not fit fully in the outlet, reverse the plug. If it still does not fit, contact a qualified electrician to install the proper outlet. Do not change the plug in any way.

• Changes or modifications not expressly approved by MATSUSHITA ELECTRIC WORKS, LTD. could void the user's authority to operate the equipment.

# FUNCTIONAL DESCRIPTION



|                          |                               |
|--------------------------|-------------------------------|
| (A) Rack knob            | (F) Rack                      |
| (B) Rack release lever   | (G) Piston joint              |
| (C) Tube holder          | (H) Application speed control |
| (D) Cartridge adaptor    | (I) Trigger                   |
| (E) Sausage pack adaptor | (J) Battery pack (EY9066)     |
|                          | (K) Battery charger (EY0202)  |

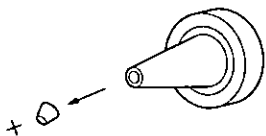
# Preparing the sealing gun

For preparation of sealing compound, such as cutting the opening to the desired diameter, follow the instructions of the cartridge / sausage pack.

# Inserting the sealing compound into the gun

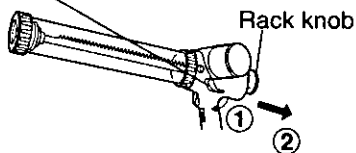
## For use with cartridges

- 1) Cut off the tip of nozzle at a point suitable for the job.



- 2) While holding down the rack release lever, pull the rack all the way to rear.

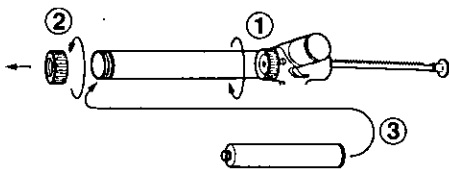
Rack release lever



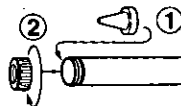
- 3) Unscrew the tube holder from the housing, and screw the adaptor (D) on the piston joint.



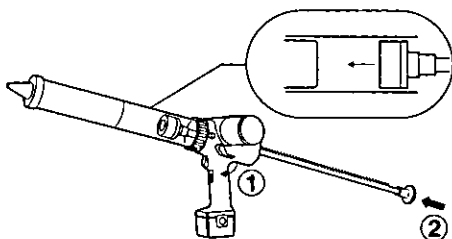
- 4) Screw the tube holder back on the housing, unscrew the gray collar from the holder, and insert the cartridge.



- 5) Set the nozzle and screw the gray collar back on the housing.



- 6) Keep the rack release lever depressed and push the rack inward until touching the cartridge.

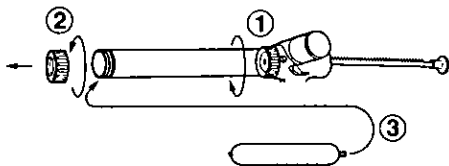


## For use with sausage pack

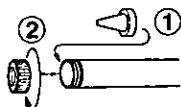
- 1) Cut off the tip of nozzle at a point suitable for the job.
- 2) While holding down the rack release lever, pull the rack all the way to rear.
- 3) Unscrew the tube holder from the housing, and screw the adaptor (E) on the piston joint.



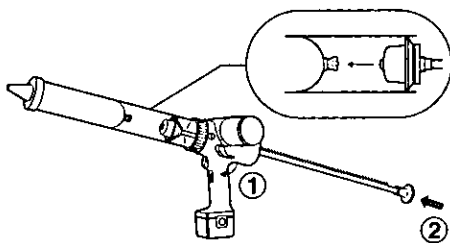
- 4) Screw the tube holder back on the housing, unscrew the gray collar from the holder, and insert the sausage pack.



- 5) Set the nozzle and screw the gray collar back on the housing.

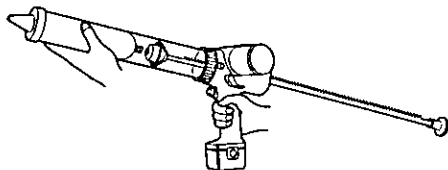


- 6) Keep the rack release lever depressed and push the rack inward until touching the sausage pack.



## How to use the sealing gun

- 1) Grasp the handle while holding the housing with the other.

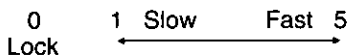


- 2) Set the tip of the nozzle in the groove where working and squeeze the trigger (1). The rack will move forward allowing you to seal the groove.
- 3) The tube holder can be turned to follow contours. This makes sealing even easier in hard-to-work places.
- 4) Set speed according to work. The speed control (H) is at the base of your thumb. You can easily change speeds while working to compensate for groove width and other conditions.

### Caution

- Be sure to lock the trigger ("0" position) when finished working.

### Speed rate adjustment



- 5) The rack will retract slightly when you release the trigger, so as to prevent dripping.

### Caution

- Dripping can occur with small nozzle openings or exceptionally soft sealing compounds.
- 6) You can pop the trigger repeatedly to dispense small shots of compound. As long as, you pop the trigger within 1 second of each shot, the rack will move forward slowly without retracting, thus dripping will not occur.

### Caution

- Do not touch the rack to avoid getting your fingers pinched.
- Use the tool only for its intended purpose, and do not operate it for long periods of time without interruption, since this may damage the sealing gun or cause the cartridge to jam. Do not insert a cartridge if it is wet, or if the sealing compound has hardened.
- If the tool is operated for long periods of time, the motor may overheat. It is therefore recommended to switch it off from time to time.
- The use of flammable materials, even for cleaning purposes, is not permitted.



## Battery pack (EY9066)

1. To connect the battery pack:  
Insert the battery pack. It snaps into place to indicate proper connection.
2. To remove the battery pack:  
Press the two tabs on the sides of the battery pack. Slide the battery pack out of the tool body.

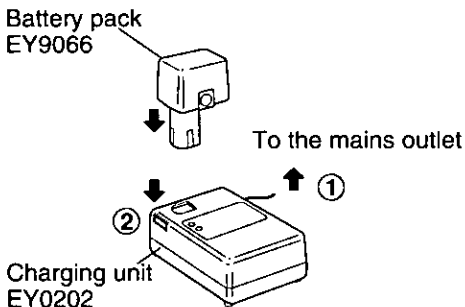
### Battery Pack Life

The rechargeable batteries have a limited life. If the operation time becomes extremely short after recharging, replace the battery pack with a new one.

- Note:**
- Use under extremely hot or cold conditions will reduce operating capacity per charge.
  - Nickel cadmium battery pack requires a "BREAK-IN PERIOD" to reach maximum operating capacity. The "BREAK-IN PERIOD" is accomplished during normal usage during the first 6-8 charge and discharge cycles of the battery pack. After the "BREAK-IN PERIOD" is completed, the battery pack will maintain maximum operating capacity throughout the normal life of the battery pack.

## Charging

- 1) Connect the charging unit to the mains.
- 2) Pull out the battery pack.
- 3) Insert the battery pack in the charger.

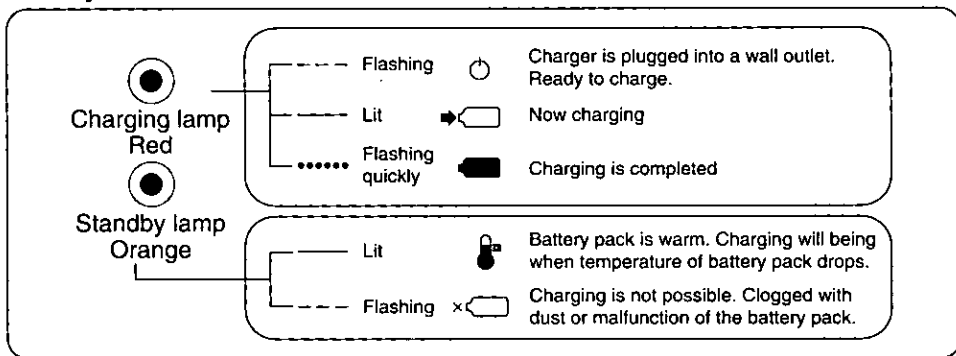


- If the battery pack is still hot, the charging process will start after the battery pack has cooled down sufficiently.
- After charging is complete, pull out the mains plug.

### Caution

- If more than two battery packs are to be charged consecutively, let the charging unit cool down for a short while after every second battery pack.
- Make sure that no foreign objects get into the charging unit. This could cause a malfunction of the charging unit.
- At the initial charge or after the sealing gun has not been used for a long time, the battery pack should be charged for approx. 24 hours, to enable the batteries to reach their full capacity.

## Lamp indications of the EY0202



# MAINTENANCE

Use only a dry, soft cloth for wiping the unit. Do not use a damp cloth, thinner, benzene, or other volatile solvents for cleaning.

## ATTENTION:

The nickel cadmium battery you have purchased is recyclable. At the end of its useful life, under various state and local laws, it is illegal to dispose of this battery into your municipal waste stream. Please call 1-800-8-BATTERY for information on how to recycle this battery.



# SPECIFICATIONS

## Battery-powered sealing gun with speed regulator (EY3654)

|                             |                                      |
|-----------------------------|--------------------------------------|
| Motor                       | DC Motor 7.2 V                       |
| Ejection pressure           | 2500 N (250 kgf)                     |
| Length overall              | max. 892 mm (35"), min. 550 mm (22") |
| Weight (incl. Battery pack) | 2.1 kg (4.6 lbs)                     |

## Battery pack (EY9066)

|                 |                            |
|-----------------|----------------------------|
| Storage Battery | Ni-Cd battery              |
| Battery Voltage | 7.2 V DC (1.2 V × 6 cells) |

## Battery charger (EY0202)

|                   |  |                  |                  |                        |
|-------------------|--|------------------|------------------|------------------------|
| Electrical Rating | See the name plate on the bottom of the charger. |                  |                  |                        |
| Weight            | 0.66 kg (1.45 lbs)                               |                  |                  |                        |
| Charging Time     | Applicable battery pack                          |                  |                  | Standard charging time |
|                   | 7.2 V  | 9.6 V            | 12 V             |                        |
|                   | EY9065<br>EY9066                                 | EY9080<br>EY9086 | EY9001<br>EY9006 | Approx. 15 min.        |
|                   |  | EY9180<br>EY9182 | EY9101<br>EY9103 | Approx. 20 min.        |
|                   |  | EY9106<br>EY9107 | Approx. 25 min.  |                        |

**30-DAY QUALITY  
SATISFACTION GUARANTEE:**

If you are dissatisfied with any Panasonic Cordless Power Tool for any reason, simply return it to the place of purchase with a dated proof of purchase, in the original packaging, with all accessories, parts and instructions, within 30 days of the date of purchase, for a full refund, or call Panasonic at 201-392-6655. Abuse or misapplication of any power tool voids the guarantee.

**PANASONIC HOME & COMMERCIAL PRODUCTS COMPANY**  
One Panasonic Way, Secaucus, New Jersey 07094